

CS40

Conferencing Speakerphone



USER MANUAL

Directory	2
1. Introduction	3
2. In the Box	3
3. Instructions	4
4. How to Use	5
4.1. Power ON/OFF	5
4.2. Bluetooth Pairing	5
4.3. Volume Up/Down	5
4.4. Call Control	6
4.5. Mute	6
4.6. LED Indicator	6
5. How to Charge	7
5.1. Charge	7
5.2. Charge LED Indicators	7
6. Document Center	8
7. Safe Usage Guidelines	8

1. Introduction

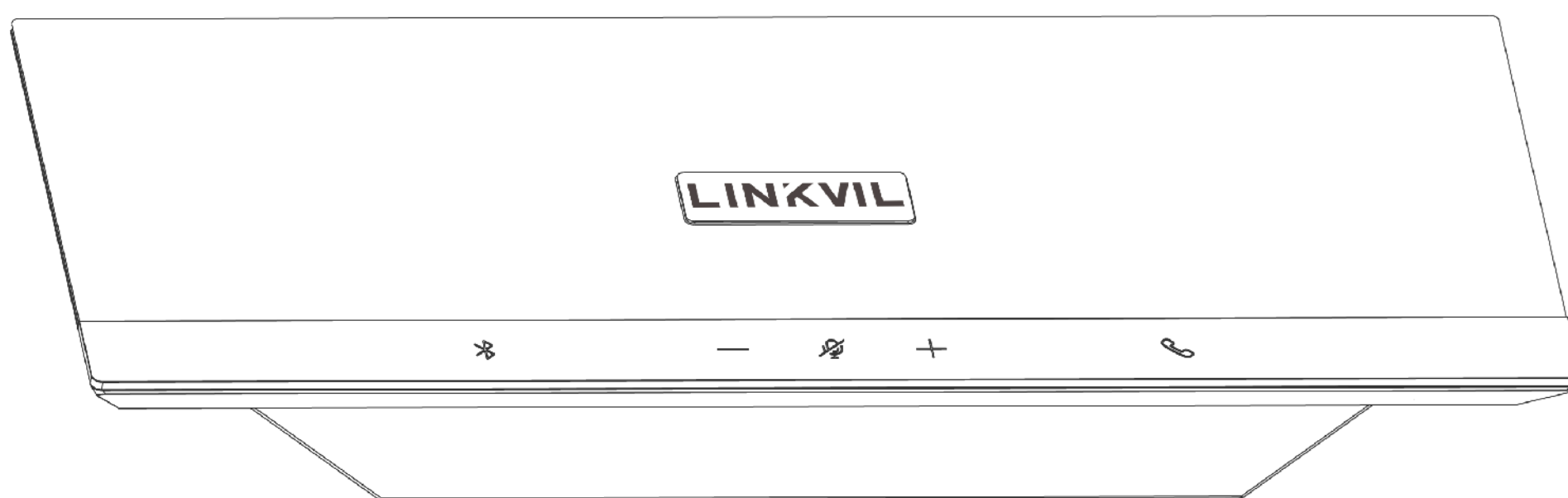
CS40 is a loud speakerphone with vocal enhanced features design for medium meeting rooms.

Loud speakerphone with crystal communication

Flexible connectivity

Modern ID

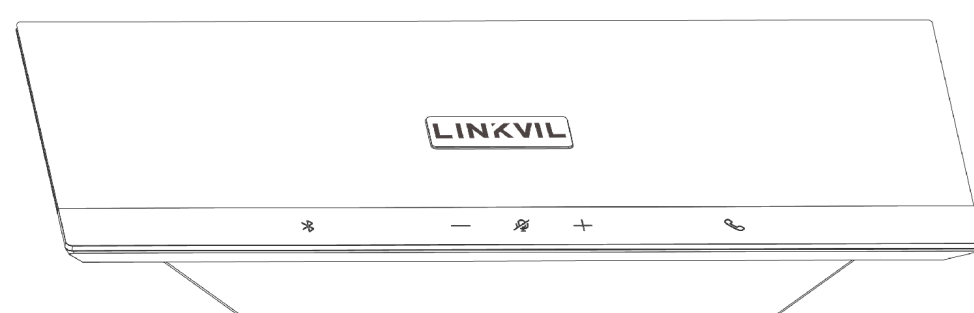
Compatible with mainstream Softphone platforms



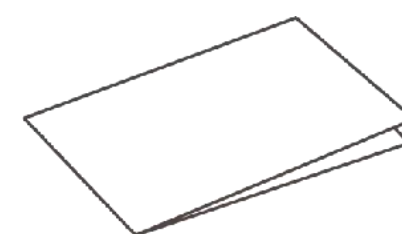
Features

- 5W loud speaker for medium meeting rooms
- 3-meter voice pickup range, ENC/ANS/AGC enabled
- Flexible connectivity with USB-A/C and Bluetooth
- Modern ID fits all kinds of meeting rooms
- Compatible with Apps and UC services of mainstream Softphone platforms

2. In the Box



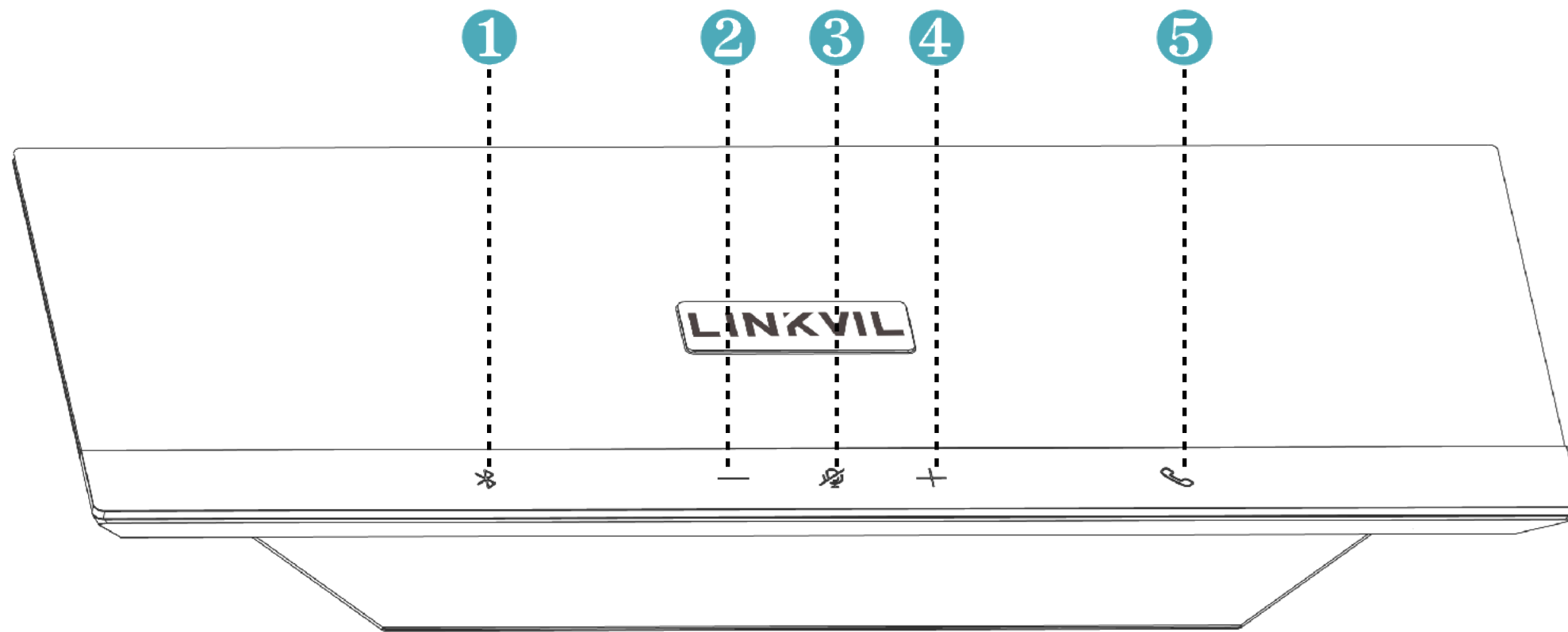
Conferencing Speakerphone
CS40



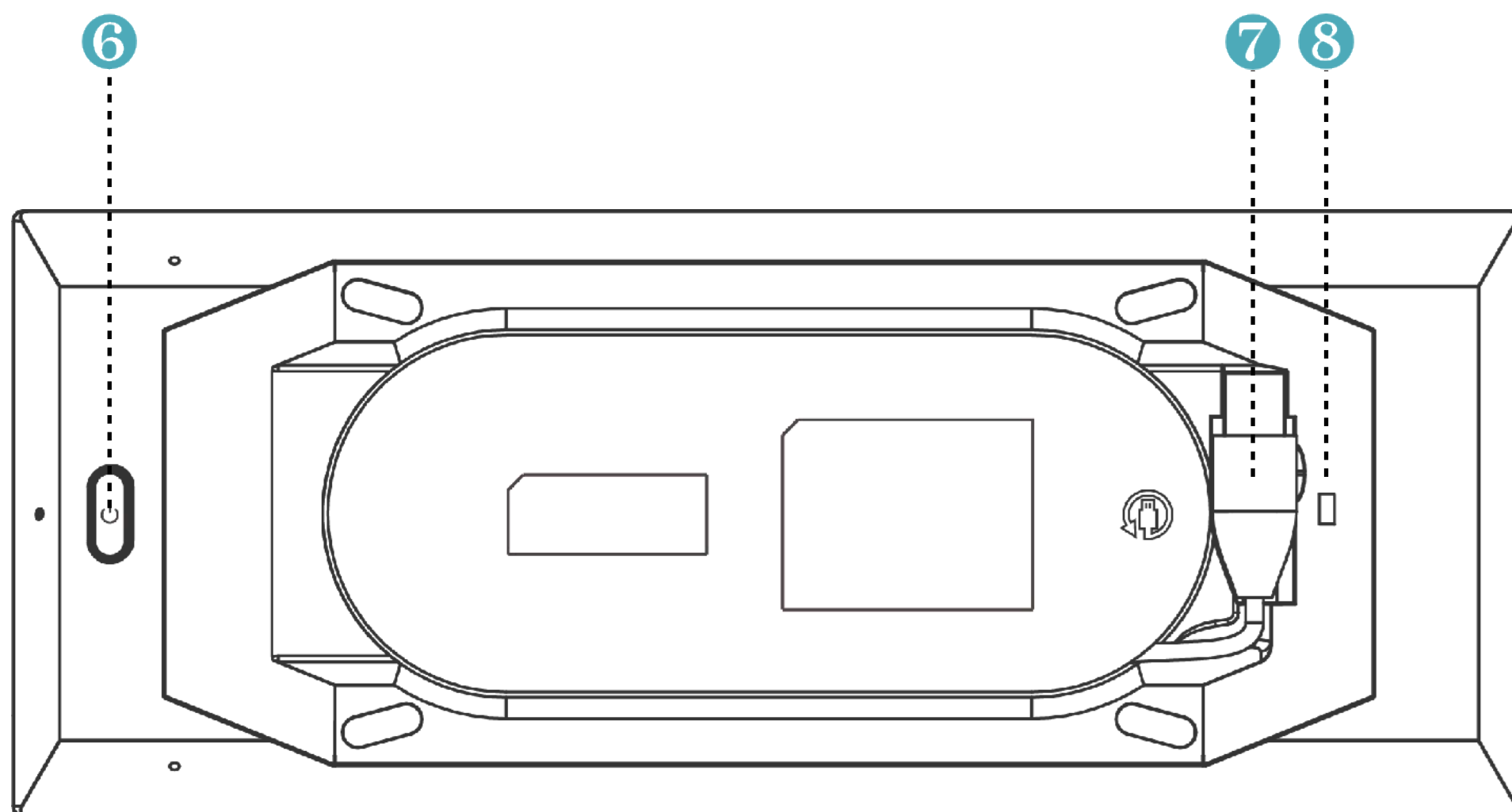
Quick Start Guide*1
Safety Information & Declaration*1

3. Instructions

3.1. CS40 Conferencing Speakerphone



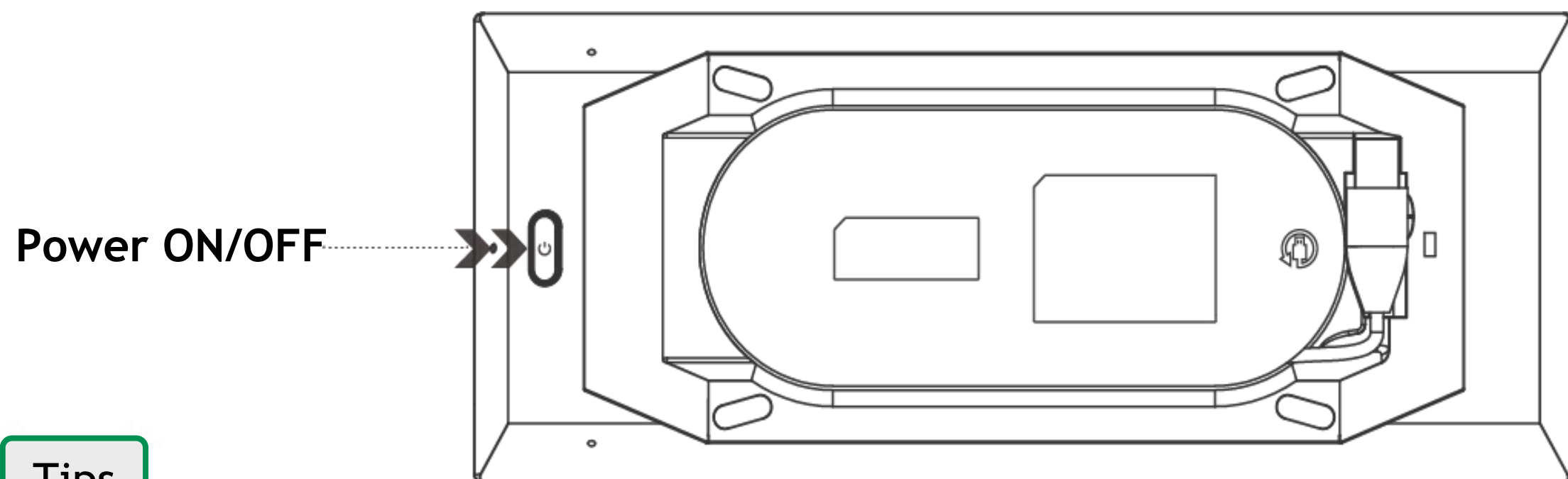
- ① Bluetooth button
- ② Volume down
- ③ Mute button
- ④ Volume up
- ⑤ Call button
- ⑥ Power button
- ⑦ USB-A/C cable
- ⑧ Kensington Nano Slot



4. How to Use

4.1. Power ON/OFF

Hold power button 2s to power ON/OFF, the LED bars can be turned OFF or ON.

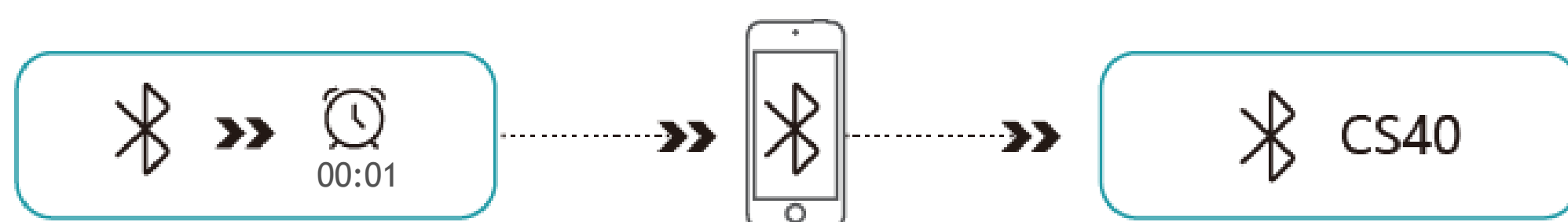


Tips

If there is no button operation or audio output within 20 minutes, the CS40 will automatically power OFF.

4.2. Bluetooth Pairing

Press and hold Bluetooth button for 1s to enter pairing mode. From the list of Bluetooth devices, select “CS40” to pair it.

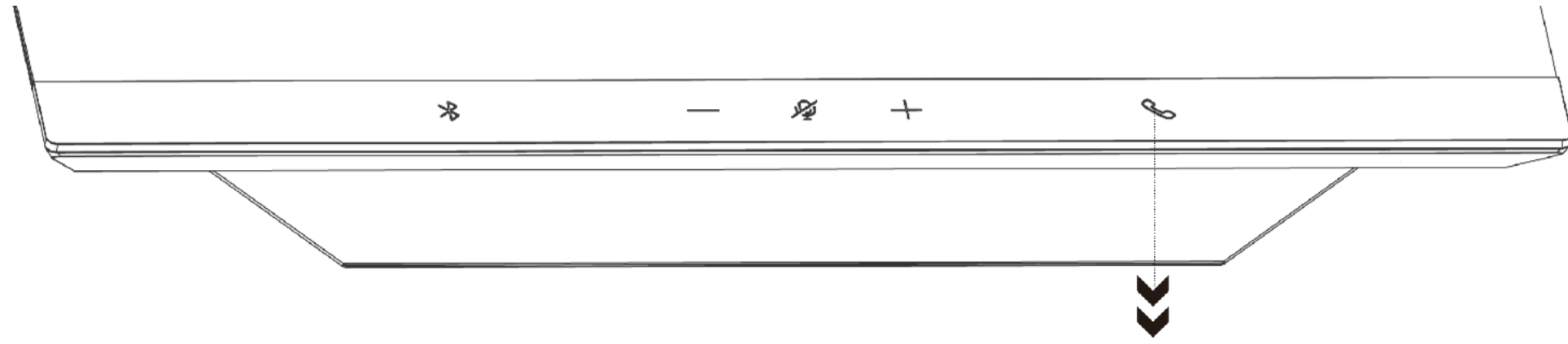


Tap the Bluetooth button in pairing mode, the pairing will be cancelled.

4.3. Volume Up/Down

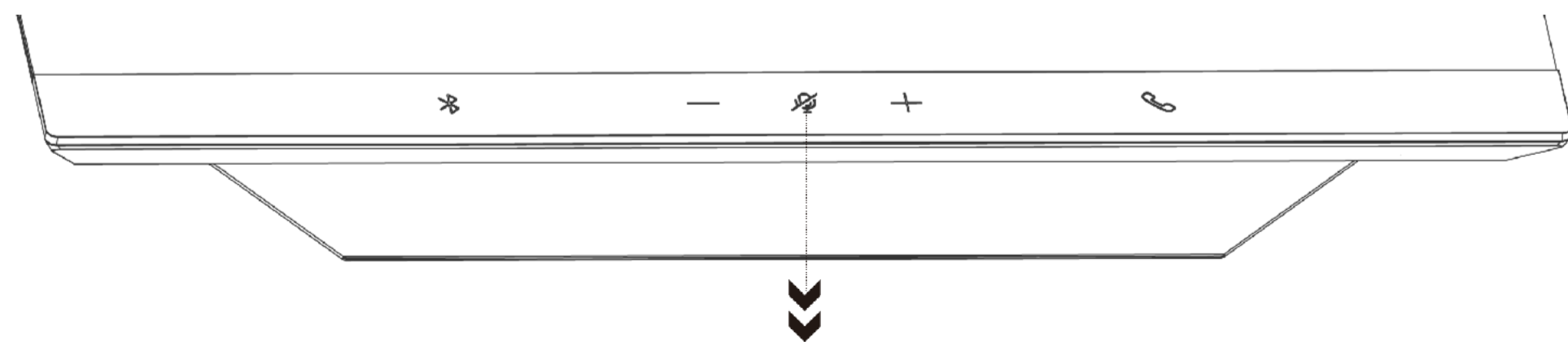
To adjust the volume of the media audio or during a call, tap the volume up or down button.

4.4. Call Control



Answer call	Hand up	Reject call	Redial
Tap the call button	Tap the call button	Double click the call button	Double click the call button when idle

4.5. Mute



To mute or unmute, tap the Mute button

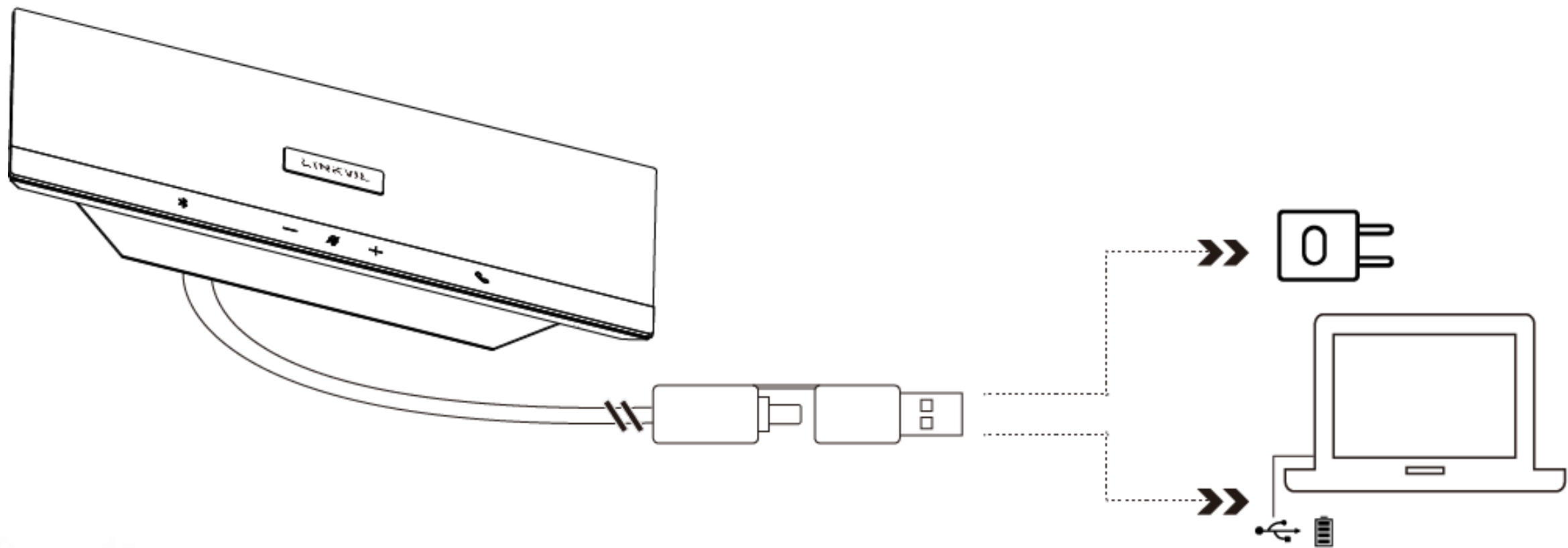
4.6. LED Indicator

Event	LED Bars	Call button	Bluetooth button	Mute button
Power ON	Solid Cyan	/	/	/
Incoming call	Flashing Green	Flashing Green	/	/
In call	Solid Green	Solid Green	/	/
Mute	Solid Red	/	/	Solid Red
Pairing	Flashing Blue	/	Flashing Blue	/
Connected	Solid Cyan	/	Solid Blue	/
Pairing failed	Flashing Blue 3s	/	Flashing Blue 3s	/

5. How to Charge


5.1. Charge

Connect the USB cable to power adapter* or computer, the LED bars will light up automatically and power ON.




Tips

The speakerphone has a combined USB-A and USB-C cable for flexible connection to either type of computer port.
 And in corded mode, the speakerphone powers ON without using the Power button.

 * Excessive voltage may cause damage to the product. Using a power supply that exceeds the specified voltage can damage the device or pose other potential risks. To ensure the safety and proper operation of the device, be sure to use the power specifications provided in the packaging or an equivalent power supply.

5.2. Charge LED Indicator

Event	LED Status
Full of battery	Solid Green, Turns to Solid Cyan when unplugged
Charging	Solid Orange
Low battery	Flashing Red

 When the power of CS40 drops below 10%, the LED bar will flash red. Please charge CS40 as soon as possible.

6. Document Center



Following documents can be downloaded from our document center:
Datasheet, Quick Start Guide, User manual, FAQ



<https://fanvil.com/service/doc/file/linkvils/linkvil/cs40/index.html>

7. Safe Usage Guidelines

- Do not open modify the product except for internal parts removal and replacement.
- Do not disassemble or attempt to service the product.
- This Product is safe under normal and reasonably foreseeable misuse operating conditions.
- If product is operating improperly, contact the authorized reseller.
- Product must be returned to the authorized reseller for any service or repair.
- This is not a Children's Product and is not intended for use by children under 14 years old.

About FANVIL

FANVIL Technology Co., Ltd. (FANVIL) is a leading global provider of A&V-IoT (Audio& Video- IoT) devices with three R&D centers in Beijing, Shenzhen, and Suzhou, China, and three factories in Huizhou and Shangrao, China, and Vietnam. FANVIL has focused on Unified Communication technology innovation for more than 20 years and provides SIP phones and SIP security industrial products in the global market. As the pioneer in applying standardized network communication technology and Audio & Video technologies to build A&V IoT, we are boosting the digital transformation for multiple industries.

About LINKVIL

As the sub-brand of FANVIL, LINKVIL will focus on the research and development of A&V-IoT wireless communication products. Based on Audio & Video -IoT, LINKVIL helps to achieve the full connection of wireless communication systems. LINKVIL builds a wireless communication Eco-system for multi-scenarios to help accelerate digital transformation.

Copyright

Copyright © 2024 FANVIL Technology Co., Ltd.

All rights reserved. No parts of this publication may be reproduced or transmitted in any form or by any means, electronic or mechanical, photocopying, recording, or otherwise, for any purpose, without the express written permission of FANVIL Technology Co., Ltd.

More Information

The above specifications may be updated in the future without prior notice. All hardware/software/physical features should be based on the final shipped products. For more information, please visit: www.fanvil.com

Compliance



FANVIL | LINKVIL

FANVIL Technology Co., Ltd.

Web: www.fanvil.com

Add: 10/F Block A, Dualshine Global Science Innovation Center, Honglang North 2nd Road, Bao'an District, Shenzhen, China

Copyright © 2024 Fanvil Technology Co., Ltd.